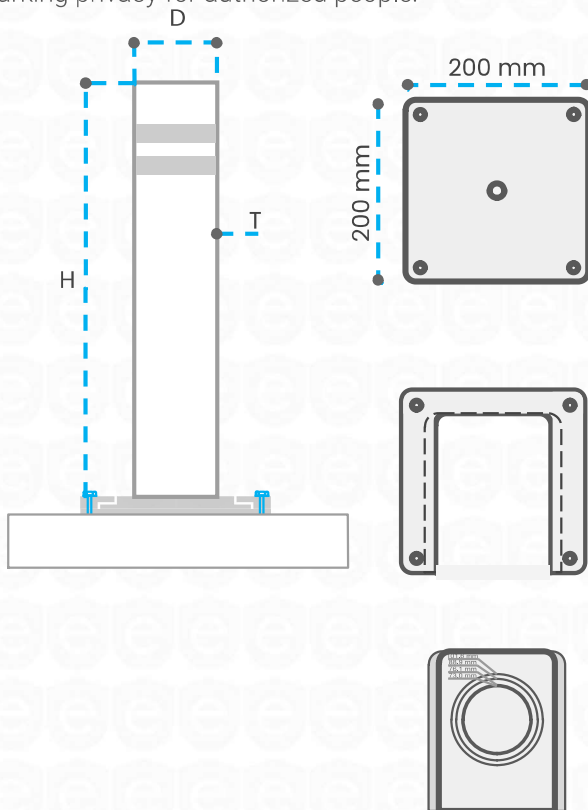
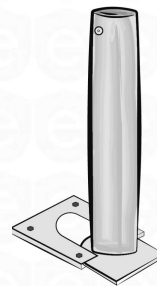


SURFACE REMOVABLE

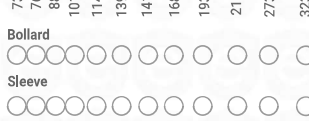
Surface Removable bollards do not require excavation as bolted down to ground and designed for easy operation. They are made of lightweight steel, aluminum or stainless steel with minimum thickness, height and diameter.

They are designed to serve as access control bollards and provide parking privacy for authorized people.

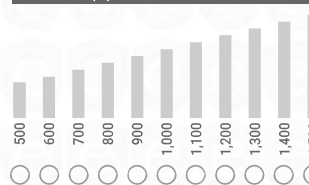
SR



STANDARD DIAMETER (OD) mm



HEIGHT (H) mm



MATERIAL AND FINISH

BOLLARD	COLOR	SLEEVE
G STEEL	<input type="radio"/>	CONCRETE
ST. STEEL	<input type="radio"/>	POLYETHYLENE
ALUMINIUM	<input type="radio"/>	ALUMINIUM
316 SS	<input type="radio"/>	316 SS
MATTE	<input type="radio"/>	MATTE
BRUSHED	<input type="radio"/>	BRUSHED
MIRROR	<input type="radio"/>	MIRROR
RAL	<input type="radio"/>	RAL

OPTIONS

- BEAD BLASTED
- REBAR
- LED
- CHAIN W/HOLDER
- BOLTS
- COLLAR
- CONCRETE FILLING
- LOCK
- MASTER

CAP



STRIP



THICKNESS (T) mm



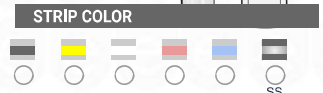
BOLLARD



SLEEVE



STRIP COLOR



TEST METHOD

- Full Scaled
- Engineering
- Simulation
- Calculation

FOUNDATION

- Deep
- Shallow
- Surface
- Socket

STANDARD

- PAS 170
- PAS 68
- ASTM
- IWA 14

LEVEL

- K12
- K8
- K4
- Lower