

# SHALLOW

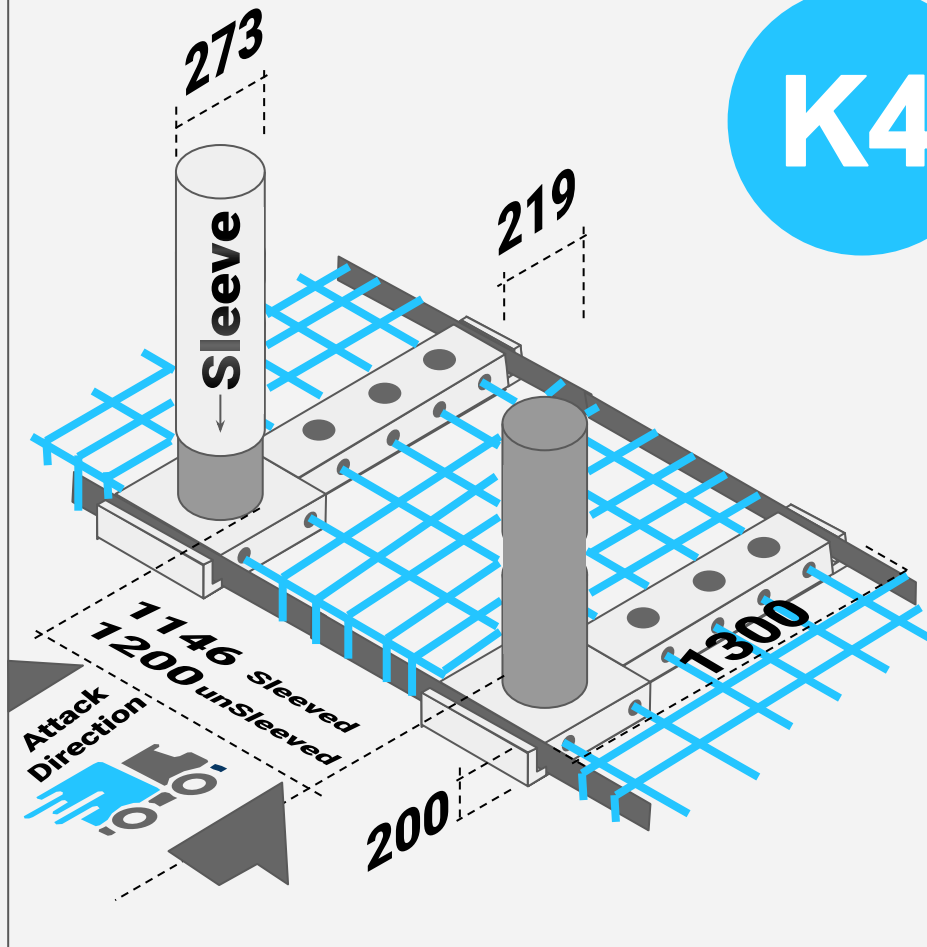
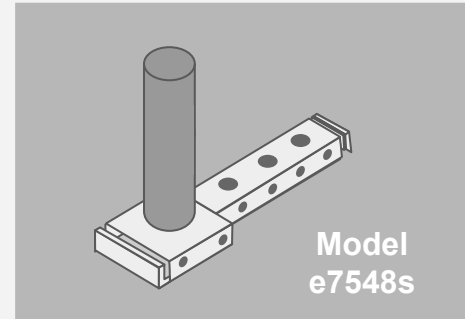
## FIXED BOLLARD

Designed as a concept to be crash tested using FEM simulation based on "PAS 68 V/7500/48/90" K4 criteria. Final design may vary based on test result and verification.

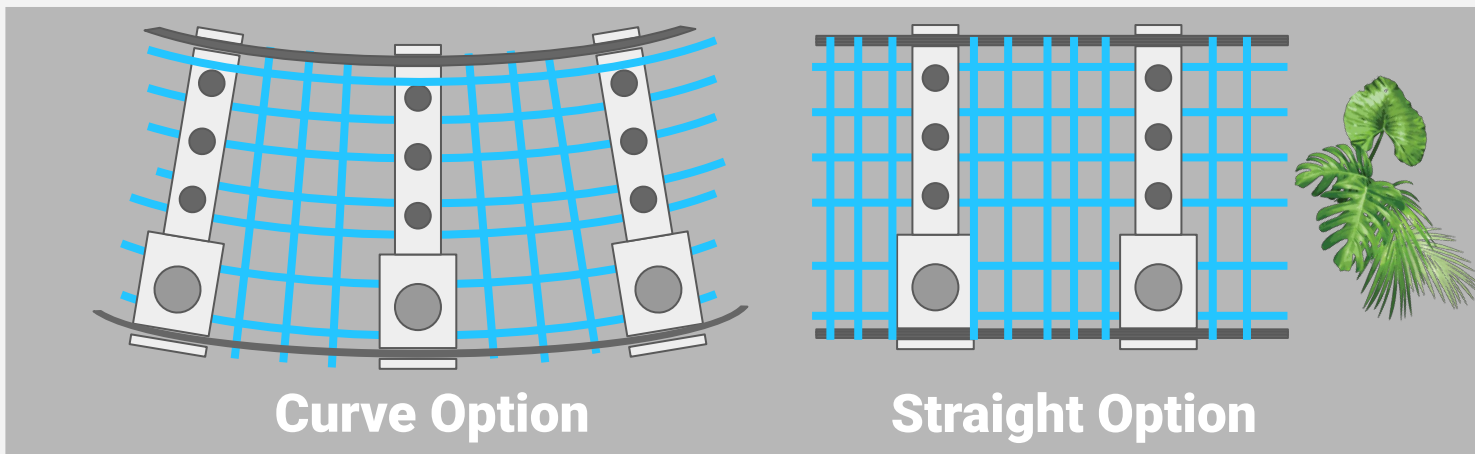
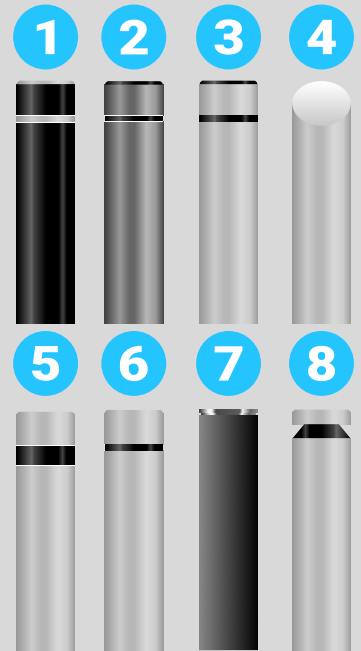
### PAS 68 V/7500[N1G]/48/90:/x.x/y.y

Impact Test Criteria

Test Result



### Sleeve Option



T 971 (4) 345 1354  
P.O. Box 121746  
Dubai, UAE  
info@ebollard.ae

<b>Bollard</b>	Shallow Fixed Bollard	
<b>Title</b>	Concept Design for HVM Test	
<b>Date</b>	09 Nov 2022	<b>DWG No.</b> 676

**Notes**  
Do not scale drawing  
All dimensions in mm  
Do not use for construction unless tested and approved

**CONCEPT DESIGN**

