

SHALLOW

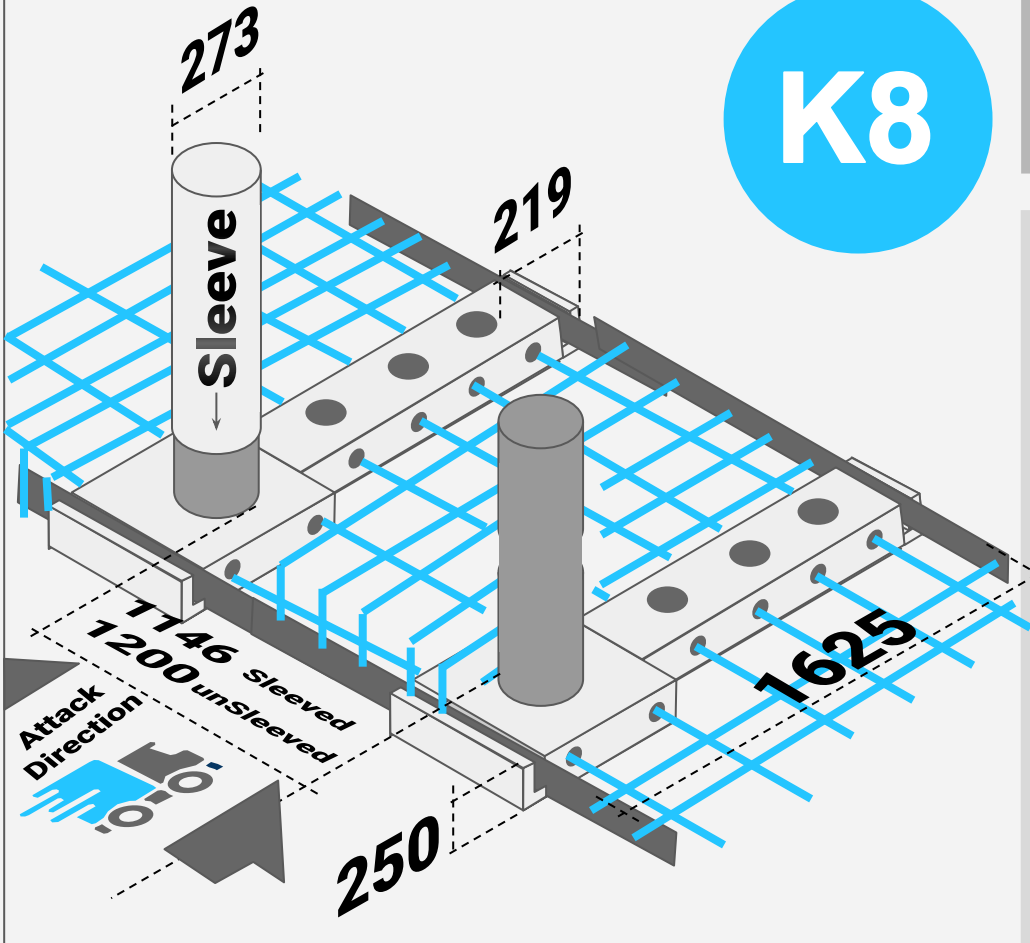
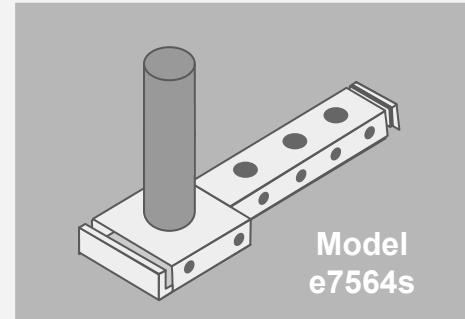
FIXED BOLLARD

Designed as a concept to be crash tested using FEM simulation based on "PAS 68 V/7500/64/90" K8 criteria. Final design may vary based on test result and verification.

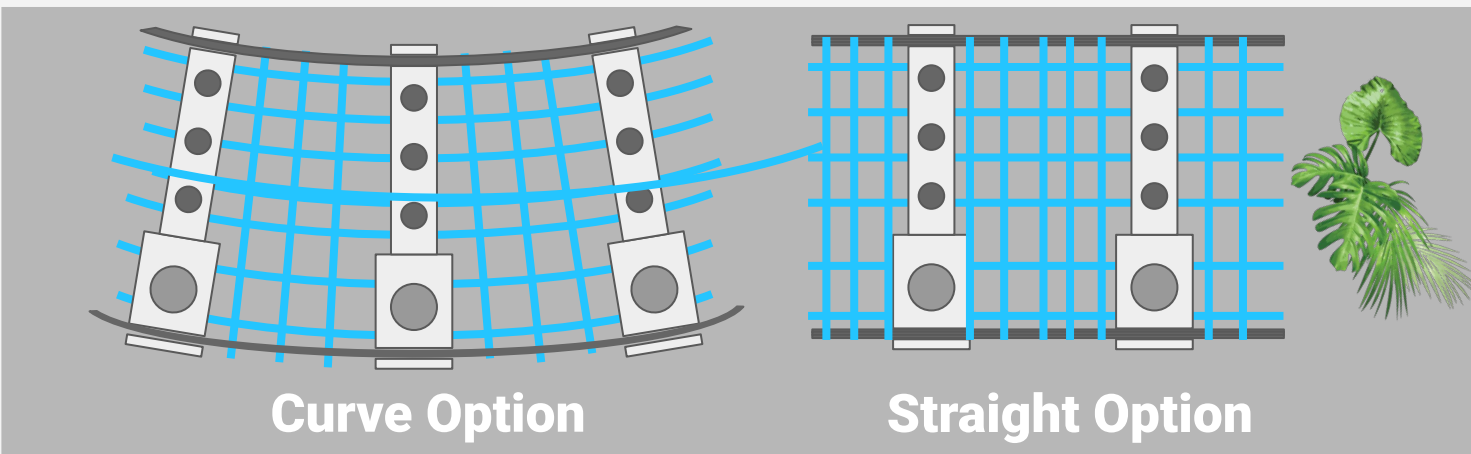
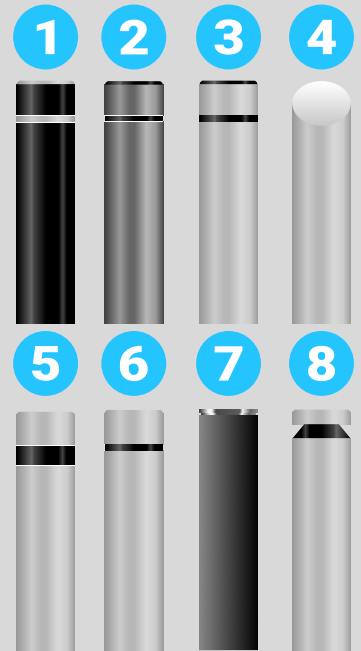
PAS 68 V/7500[N1G]/64/90:/x.x/y.y

Impact Test Criteria

Test Result



Sleeve Option



T 971 (4) 345 1354
P.O. Box 121746
Dubai, UAE
info@ebollard.ae

| | | | |
|----------------|-----------------------------|----------------|-----|
| Bollard | Shallow Fixed Bollard | | |
| Title | Concept Design for HVM Test | | |
| Date | 09 Nov 2022 | DWG No. | 676 |

Notes
Do not scale drawing
All dimensions in mm
Do not use for construction unless tested and approved

CONCEPT DESIGN

